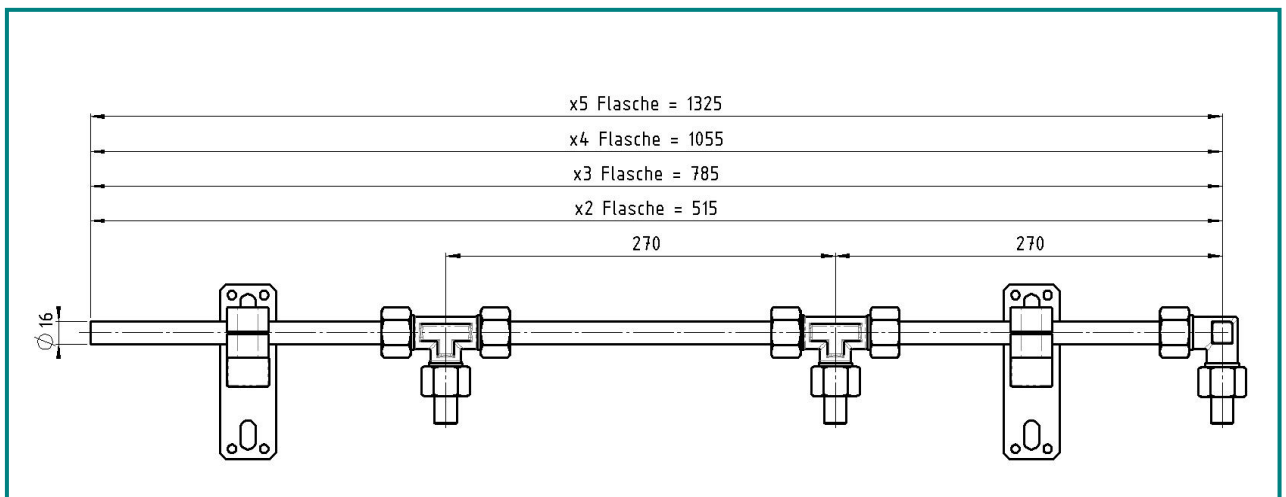
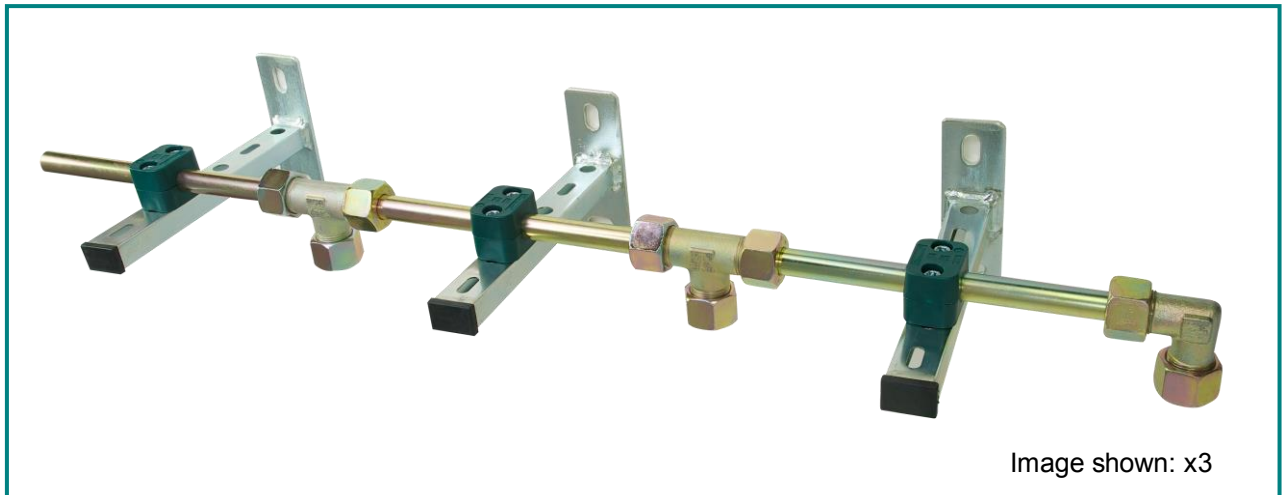


Acetylene Cylinder battery manifold



Cylinder battery manifolds for acetylene are permanently installed high pressure lines with mounting brackets, 90° shut-off valves W21,8 x 1/14 LH, tube and tube connections for connection to a supply regulator station. For use with acetylene cylinder connection hose order no. 910220.

Order No.	Manifold
910202	2x2 Cylinder
910203	2x3 Cylinder
910204	2x4 Cylinder
910205	2x5 Cylinder

Technical details:

Material: steel/brass
Connections: inlet: W21,8 x 1/14 LH
outlet: Tube Ø16

Hornung Quality standard

The company Hornung is certified to **DIN EN ISO 9001 and ISO 14001:2009**. All single parts are manufactured, assembled and tested in house. The finished parts are therefore under the criteria of our exact quality control with 100% final control.

Hornung GmbH
Rathenaustraße 55, 63263 Neu-Isenburg

Phone: +49 6102 7883-70
Fax: +49 6102 7883-40

www.hornung.org
info@hornung.org